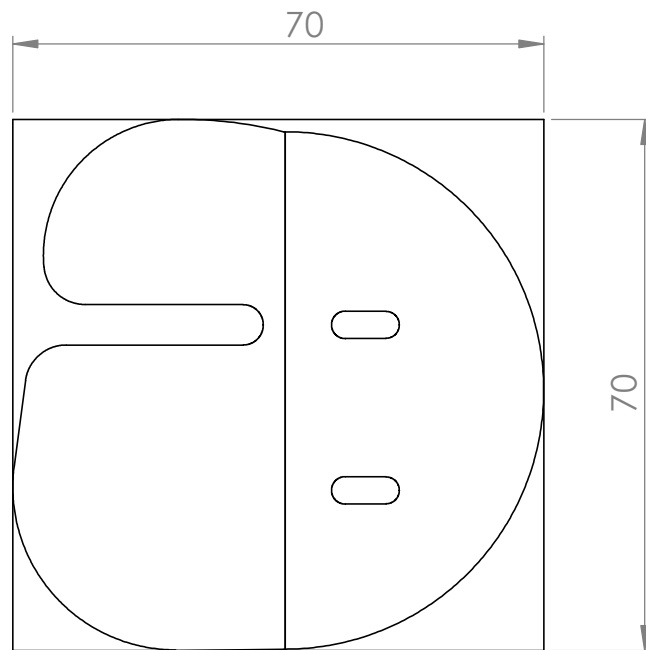
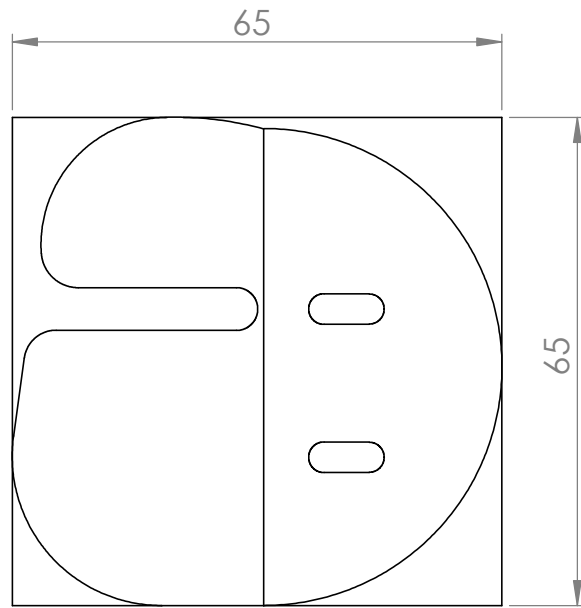


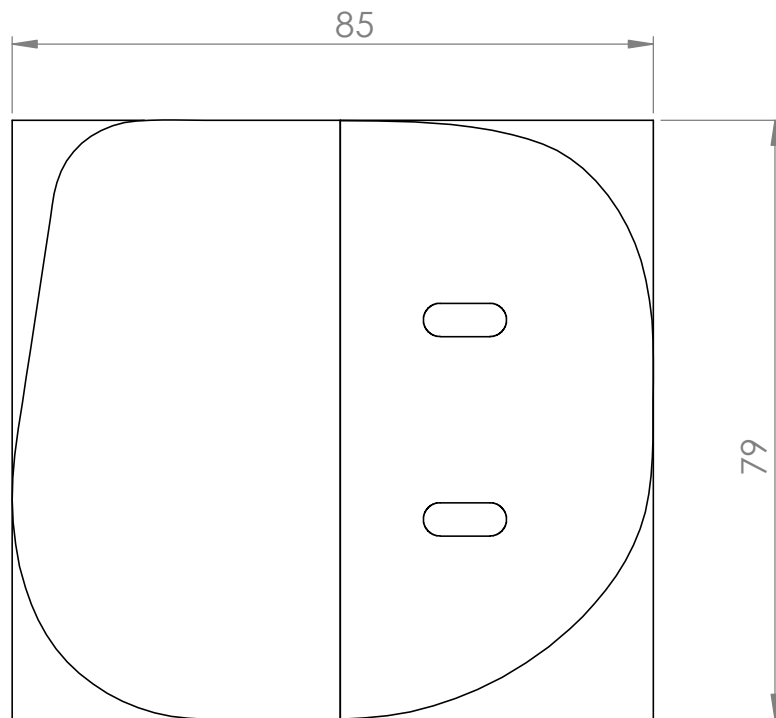
split finger tab size L



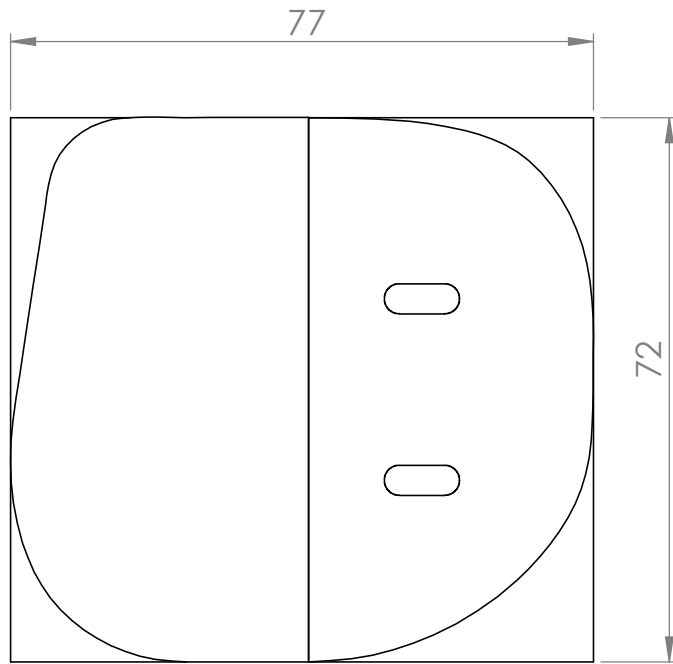
split finger tab size M



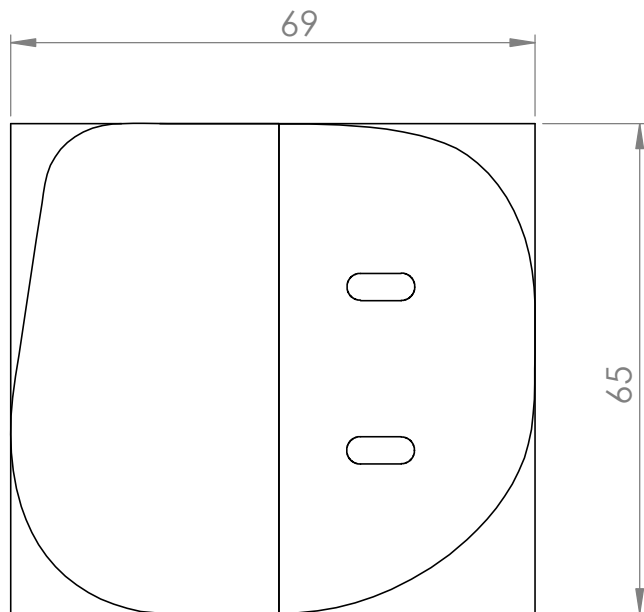
split finger tab size S



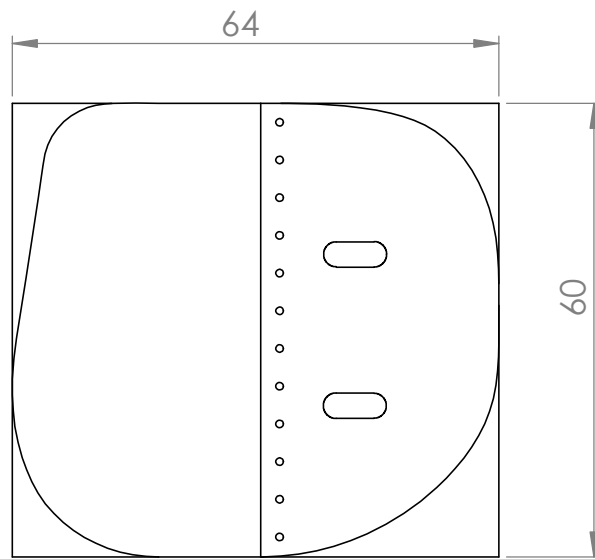
threeunder tab size XL



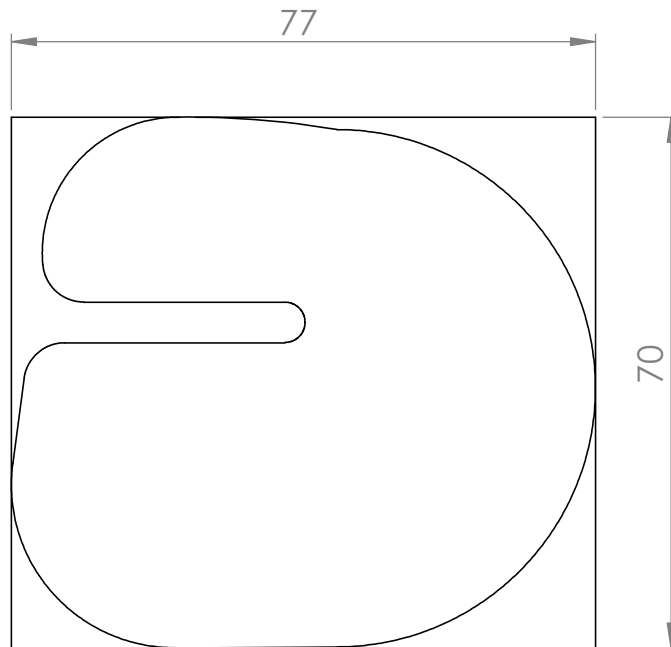
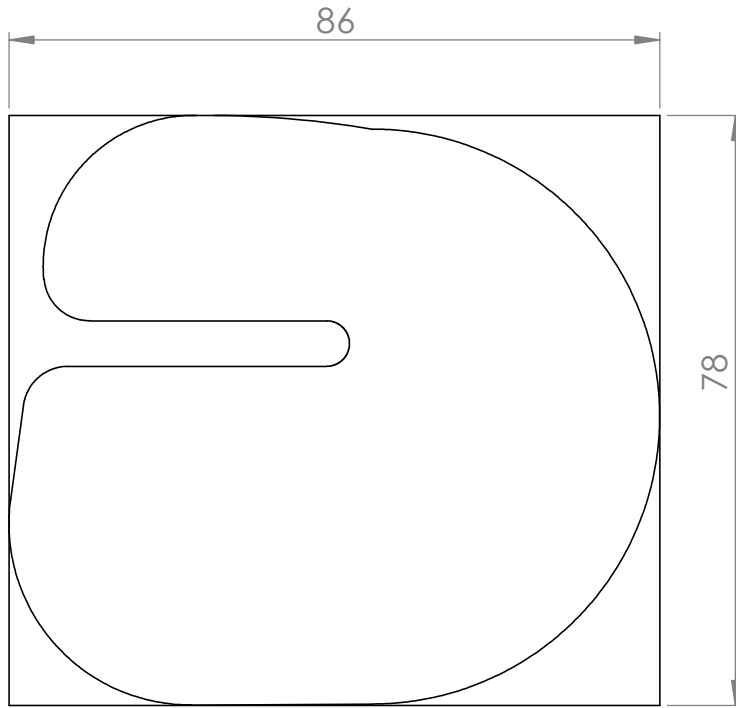
threeunder tab size L



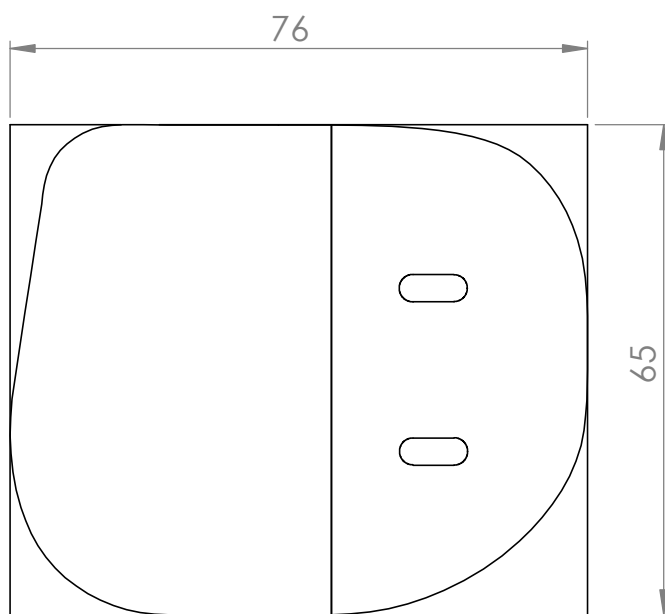
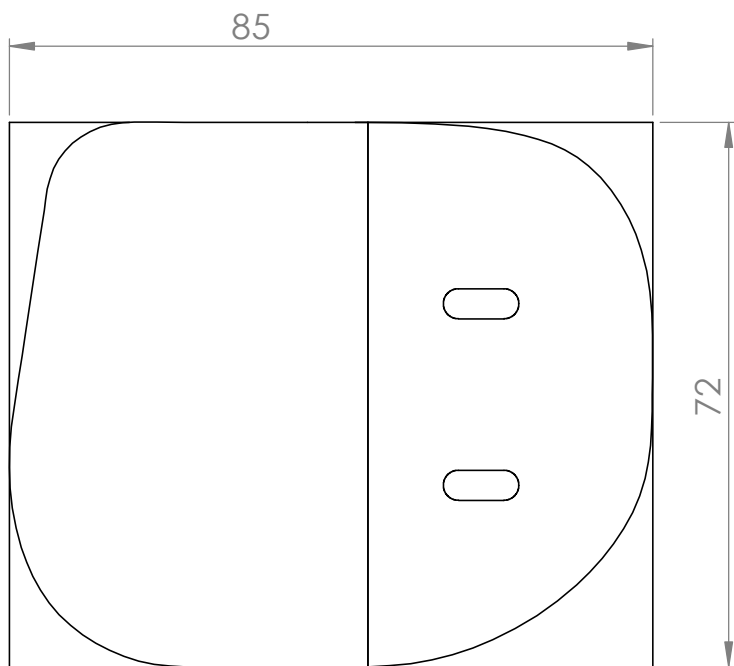
threeunder tab size M



threeunder tab size S



I can make the split finger tabs size M, L tabs with longer shape



I can make the threeunder tabs size M, L tabs with longer shape